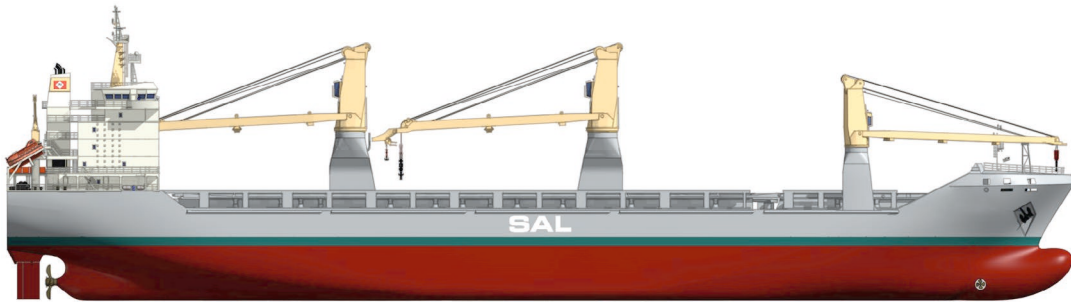


# SAL TYPE 171

A VERSATILE HEAVY LIFT CARGO VESSEL WITH ICE CLASS



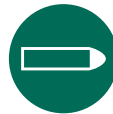
**SAL's Type 171 is a versatile heavy lift cargo vessel, which is ready to handle both your heavy lift and break bulk cargo as well as bulk commodities.**

With its large cargo hold – the biggest cargo hold in terms of intake in our fleet – and its adjustable tween decks and strong weathertight hydraulic hatch cover, the Type 171 provides far-reaching capabilities. Its three heavy duty cranes can handle a wide variety of cargoes, from heavy duty loads to smaller break bulk units, heavy lift loads and commodities in bulk. The Type 171 can operate in arctic waters with its E3 ice classification, allowing for Northeast passage transiting.

Whether you are looking to ship **refinery equipment, wind turbines, generators, pipes or bulk cargo**, SAL's type 171 is there to service you. Large or small – we take it all.



- **E3 Ice Class**  
(Equivalent to Finnish / Swedish 1A)



- **Strong weather deck** (up to 8 t/m<sup>2</sup>)
- **Weathertight hydraulic hatch cover**



- **Large box shaped holds** in twin configuration
- **Adjustable tween decks**
- **Grab-fitted** for discharge of bulk cargo



- Cranes combinable up to **800 t SWL**
- High crane pedestals for **greater lifting height**
- Auxiliary hook for faster loading



## TYPE 171

MV KLARA (05/2012)  
MV LISA (11/2011)  
MV HANNA (09/2011)

## Deadweight

19,100 t  
up to 13,700 t DWCCC

## Deck

113.3 × 18.0 m

## Hold

23,720 m<sup>3</sup>

## Longest hatch

86.1 × 18.0 m

## GT / NT

15,549 / 6,089

## Cranes

2 × 400 t SWL,  
combinable up to 800 t SWL  
1 × 120 t SWL

## Speed

Up to 17 knots

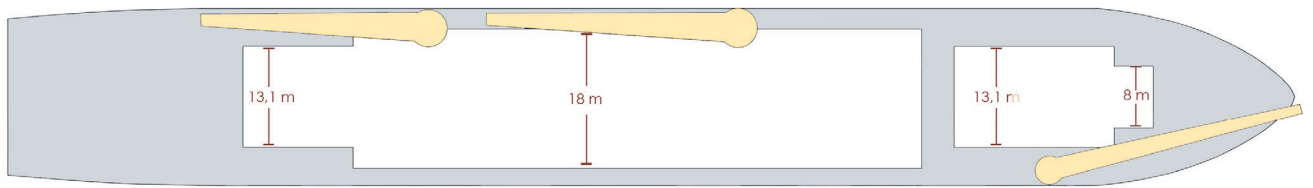
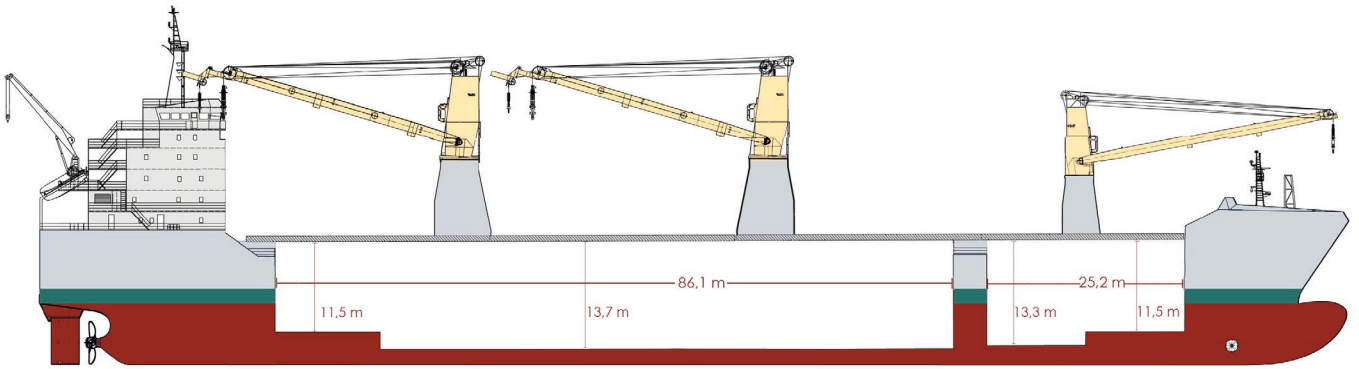
## LOA / Beam

166.15 / 22.90 m

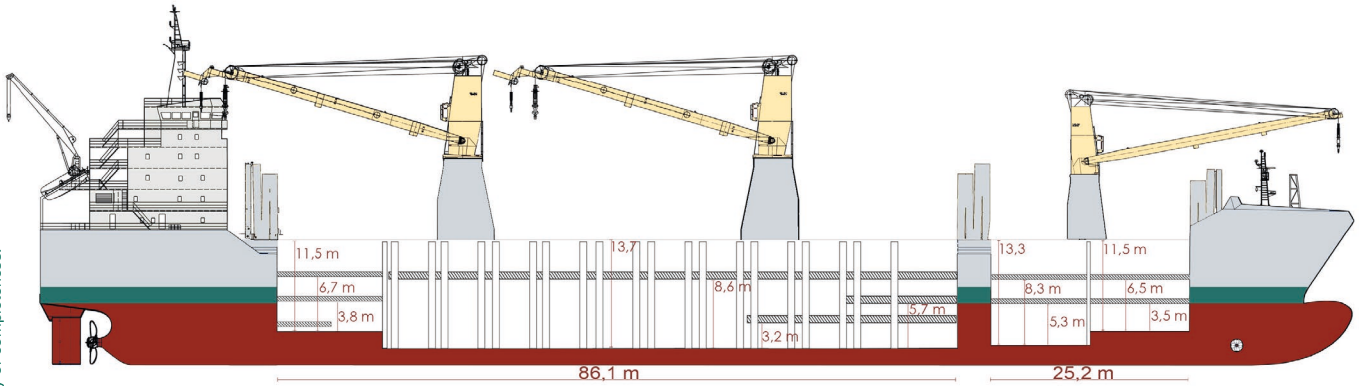
SAL Heavy Lift GmbH & Co. KG  
Hamburg / Germany  
Phone: +49 40 380 380-0  
[www.sal-heavylift.com](http://www.sal-heavylift.com)



## TYPE 171 - HOLDS



## HOLD HEIGHT

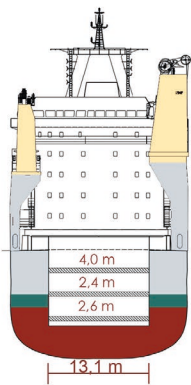


A

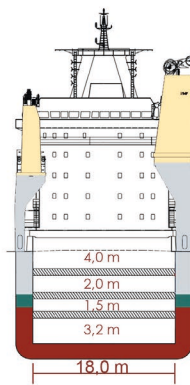
B

C

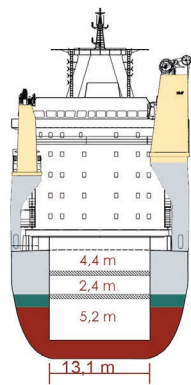
D



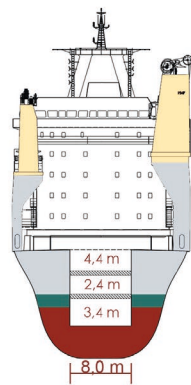
A



B



C



D